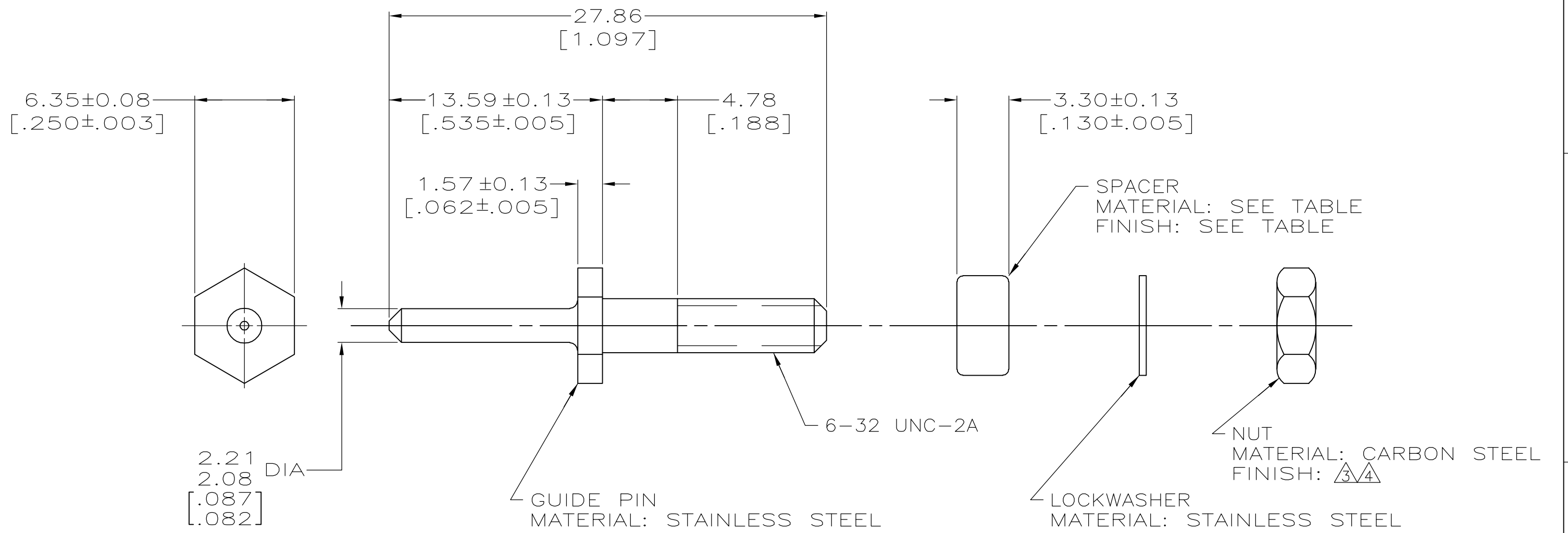


THIS DRAWING IS UNPUBLISHED. RELEASED FOR PUBLICATION
 © COPYRIGHT BY TYCO ELECTRONICS CORPORATION. ALL RIGHTS RESERVED.

LOC	DIST	REVISIONS					
FT	0	P	LTR	DESCRIPTION	DATE	DWN	APVD
			R1	REVISED PER ECO-05-4934	7/22/05	SS	GS



$\triangle 4$	$\triangle 1$	STAINLESS STEEL	YES	202173-8
$\triangle 4$	-	-	NO	202173-7
$\triangle 3$	$\triangle 2$	BRASS	YES	202173-6
$\triangle 3$	$\triangle 1$	STAINLESS STEEL	YES	202173-5
$\triangle 3$	-	-	NO	202173-1
NUT FINISH	FINISH	MATERIAL		PART NUMBER
		SPACER		

- $\triangle 1$ PASSIVATED.
- $\triangle 2$ 2.54um [.000100] MIN ZINC WITH HEXAVALENT CHROMIUM..
- $\triangle 3$ ZINC PLATE WITH HEXAVALENT CHROMIUM.
- $\triangle 4$ ZINC PLATE WITH NON-HEXAVALENT CHROMIUM.

THIS DRAWING IS A CONTROLLED DOCUMENT.

DIMENSIONS: mm [INCHES]	TOLERANCES UNLESS OTHERWISE SPECIFIED:	DWN C.DORWART 30 AUG 95	Tyco Electronics Corporation Harrisburg, Pa 17105-3608
	0 PLC ± - 1 PLC ± - 2 PLC ± 0.38 [.015] 3 PLC ± - 4 PLC ± - ANGLES ± -	CHK R.STONE 31 AUG 95	
MATERIAL SEE CALLOUTS	FINISH -	APVD G.STEINHAUER 05 OCT 95	NAME
		PRODUCT SPEC -	GUIDE PIN KIT, UNASSEMBLED, M SERIES
		APPLICATION SPEC -	SIZE CAGE CODE DRAWING NO RESTRICTED TO
		WEIGHT -	A3 00779 C-202173 -
		CUSTOMER DRAWING	SCALE 4:1 SHEET 1 OF 1 REV R1